

User Manual

Manual
del usuario

AMBIANO®

3.5 INCH PORTABLE FAN

VENTILADOR PORTÁTIL DE 3.5 PULGADAS

US

Made in China

DIST. & SOLD EXCLUSIVELY BY:

ALDI

BATAVIA, IL 60510

**AFTER SALES SUPPORT
SERVICIO POSVENTA**

832551

 **US 1-888-367-7373**

 **help@myproduct.care**

MODEL/MODELO:

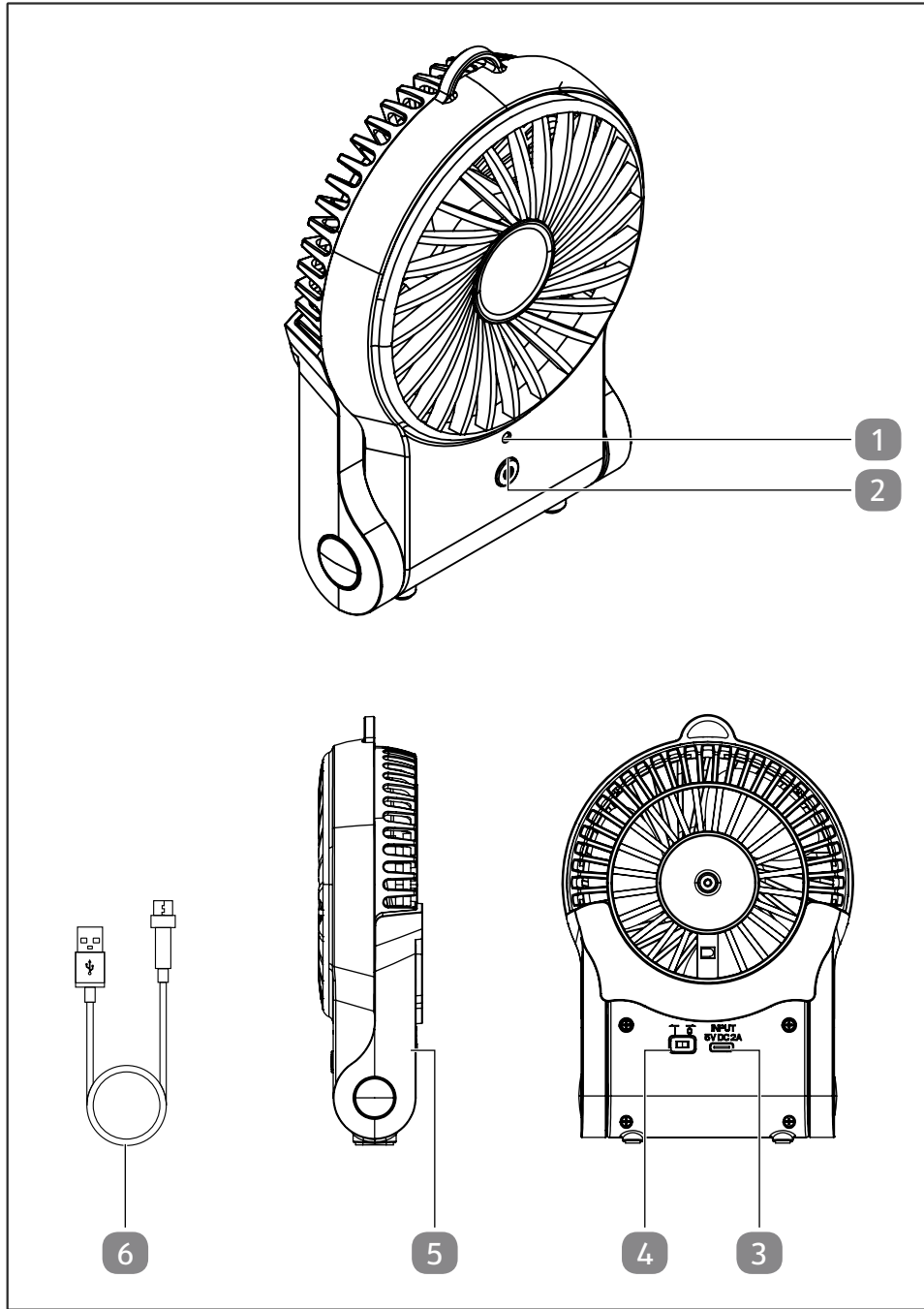
1159-BK; 1159-DG; 1159-BL

05/2024



English..... 3

Español.....14



Package contents/device components

- 1 Charging indicator
- 2 Rotational speed switch
- 3 USB port
- 4 ON/OFF switch
- 5 Foot
- 6 USB cable

Table of contents

Overview	2
Package contents/device components	3
General information	5
Reading and storing the user manual.....	5
Intended use.....	5
Explanation of symbols.....	5
Safety	6
Safety instructions.....	6
Unpacking and checking the delivery	9
Check the product and scope of delivery.....	9
Before first use	10
Operation	11
Cleaning	11
Cleaning the device.....	11
Inspection	11
Storage	12
Technical data	12
Waste disposal and environmental protection	13
Disposing of the packaging.....	13
Dispose of old electrical device.....	13

General information

Reading and storing the user manual



This user manual is a part of the 3.5 inch portable fan (hereinafter called "product"). It contains important information on how to set up and use the product.

Read the user manual carefully, in particular the safety instructions, before using the product. Failure to follow this user manual may lead to severe injuries or product damage.

Keep this user manual for future reference. If you pass this product on to a third party, you must also supply this user manual.

Intended use

The product is exclusively designed to ventilate the immediate surroundings in indoor rooms.

It is only intended for private indoor use and not suitable for commercial purposes.

Only use the product as described in this user manual. Any other use is considered improper and may result in damage to property or persons. The product is not a children's toy.

The manufacturer or vendor cannot be held liable for damages or injury incurred through improper or incorrect use.

Explanation of symbols

The following symbols are used in this user manual, on the product or on the packaging.



This symbol provides you with useful additional information on handling and use.



The product meets the specifications of protection class III and is operated with safety extra-low voltage.



Use the provided USB cable to connect to a 5 Volt USB power supply.



FCC PART 15

This device complies with Part 15 of the FCC Rules. Operation is subject to the following two conditions: (1) this device may not cause harmful interference, and (2) this device must accept any interference received, including interference that may cause undesired operation.

Warning: Changes or modifications to this unit not expressly approved by the party responsible for compliance could void the user's authority to operate the equipment.

NOTE: This equipment has been tested and found to comply with the limits for a Class B digital device, pursuant to Part 15 of the FCC Rules. These limits are designed to provide reasonable protection against harmful interference in a residential installation. This equipment generates, uses and can radiate radio frequency energy and, if not installed and used in accordance with the instructions, may cause harmful interference to radio communications.

- Reorient or relocate the receiving antenna.
- Increase the separation between the equipment and receiver.
- Connect the equipment into an outlet on a circuit different from that to which the receiver is connected.
- Consult the dealer or an experienced radio/TV technician for help.

Safety

The following signal words are used in this user manual.



WARNING!

This signal symbol/word denotes a hazard with an average risk level that could lead to death or severe injury if it is not avoided.



CAUTION!

This signal symbol/word denotes a hazard with a low risk level that could lead to mild or moderate injury if it is not avoided.

NOTE!

This signal word provides a warning about potential material damage.

Safety instructions

IMPORTANT SAFEGUARDS

When using electrical appliances, basic safety precautions should always be followed including the following safety notices. Read all instructions.

 **WARNING!****Risk of electric shock!**

Faulty electric installation or excess voltage can cause an electric shock.

- Only connect the power cable if the voltage of the voltage source matches the information shown on the rating plate.
- The product must only be operated with extra low voltage (in line with the class III marking on the product).

 **WARNING!****Danger to children and persons with reduced physical, sensory or mental abilities (e.g. partially disabled, elderly people with reduced physical and mental abilities) or lack of experience and knowledge (e.g. older children).**

- Children aged 8 years and older as well as people with reduced physical, sensory or mental abilities or a lack of experience and knowledge may only use this product if they are supervised or have been given instruction on using the product in a safe way and understand the hazards involved.
- Keep children under 8 away from the product and the power cable.
- Do not leave the product unattended when in use.
- Children may not play with the product.
- Do not let children play with the packaging film. They may become tangled when playing and suffocate.
- Children must not clean or service the device unsupervised.

 **WARNING!**

Safety instructions for rechargeable batteries

- Keep batteries/rechargeable batteries out of reach of children. If any part was swallowed, immediately see a doctor.
- The rechargeable battery is not exchangeable. When it has reached the end of its life, the entire product must be replaced.
- Never try to recharge non-rechargeable batteries. Do not short-circuit batteries/rechargeable batteries or open them up. This may result in overheating, risks of fire, or bursting.
- Never throw batteries/rechargeable batteries in fire or water.
- Do not subject batteries/rechargeable batteries to mechanic stress.

 **CAUTION!**

Risk of batteries/rechargeable batteries leaking

- Avoid exposing batteries / rechargeable batteries to extreme conditions or temperatures, e.g. on radiators/in direct sunlight.
- Prevent any contact with skin, eyes and mucosa! After any contact with battery acid, rinse affected part of body with sufficient quantities of clear water and immediately see a doctor!
- Leaking or damaged batteries / rechargeable batteries can cause chemical burns if they come into contact with the skin. Accordingly, please wear suitable protective gloves for handling.
- In the event of leaking batteries, remove them immediately from the product in order to prevent damage.

NOTE!**Risk of damage!**

Improper assembly can damage the product.

- Operate the product on an easily accessible, level, dry, heat resistant and sufficiently stable work surface. Never place the product on the edge of the work surface.
- Never place the product on or near hot surfaces (stove tops, etc.) and never expose the product to high temperatures (heaters, etc.) or to bad weather (rain, etc.).
- Never immerse the product in water to clean it, and do not use a steam cleaner. This can damage the product.
- Stop using the product if any of its components are cracked or deformed. Only replace damaged components with matching original spare parts.
- Do not attempt to repair or modify the product yourself. Have repairs carried out by trained personnel.
- Never expose the product to weather influences, direct sunlight or hot air circulation.

SAVE THESE INSTRUCTION.**Unpacking and checking the delivery****Check the product and scope of delivery**** WARNING!****Danger of suffocation!**

Children may become tangled up in the packaging film when playing with it and suffocate.

- Do not let children play with the packaging film.

NOTE!

Risk of damage!

If opening the packaging with a sharp knife or other pointed object, be careful to avoid damaging the product's surface.

- Proceed carefully with opening the packaging.
1. Remove the product from the packaging.
 2. Check that the delivery is complete (see chapter "Package contents/device components").
 3. Check the product and the individual parts for damage. Do not use a damaged product and contact the address given at the end of this manual.

Before first use

NOTE!

Risk of damage!

Improper charging of the integrated batteries may result in damage to the product.

- Only use the supplied charging cable to charge the product.
- Only charge the product in dry, interior rooms.
- Do not use a USB extension cable.
- Place the product on an easily accessible, level, dry, and sufficiently stable surface.
- Ensure that the product is securely held in place.

1. Unfold the foot **5** to the desired tilt.
2. Connect the USB cable **6** to the USB port **3** and an electricity source. The charging indicator **1** changes depending on the charging status.

During the charging process

The charging indicator lights up red during the charging process.

The charging indicator lights up blue when charging is complete.

The charging indicator does not light up when charging is complete and the USB cable is removed.

During operation

Battery over 15 %: The charging indicator does not light.

Battery below 15 %: The charging indicator lights up red.

3. Place the product on a level surface.

Operation



The device can be operated with a USB cable or with the integrated rechargeable battery.

The output of the device is higher when operating it via a USB cable.

1. Slide the ON/OFF switch **4** to ON to turn the device on.
2. Press the rotational speed switch **2**.

Press once: The fan runs at low speed.

Press twice: The fan runs at high speed.

Press three times: The fan stops.



Slide the ON/OFF switch **4** to OFF to turn the device off when not using it.

Cleaning

NOTE!

Risk of damage!

Improper handling can damage the product.

- Do not use any harsh cleaning products, brushes with metal or nylon bristles, or sharp or metallic cleaning materials such as knives, hard scrapers or similar. They may damage the surfaces.

Cleaning the device

Wipe the surfaces down with a dry cloth.

Inspection

Before each use check that:

- the product is undamaged,
- the controls are not damaged,
- the accessories are in perfect condition,
- the vents are clear and clean.

Inspection

Do not operate a damaged product or accessory. Instead, have it inspected and repaired by the manufacturer or their customer service or a similarly qualified person.

Storage

NOTE!

Risk of damage!

Improper storage of the product can result in damage.

- Store the product in a clean, dry, frost-protected place out of the reach of children.

All parts must be completely dry before they are put away.

- Always store the product in a dry place.
- Protect the product from direct sunlight.
- Store the product out of the reach of children, safely closed, at a storage temperature between +5 °C and +20 °C (room temperature).

1. Thoroughly clean the product (see section "Cleaning").
2. Roll up the USB cable without knots or bends.
3. Do not place any objects on the product during storage.

Technical data

Model:	1159-BK; 1159-DG; 1159-BL
Item number:	832551
Rechargeable battery type:	3.7 V ===; Li-ion, 2,900 mAh
Supply voltage:	Input (USB): 5 V / 2 A
Protection class:	ⓘ
Max. operating time with battery:	approx. 300 minutes at high speed
Charging time:	approx. 4 hours with 5 V/2 A supply
Rotational speed levels:	2
Output USB operation:	approx. 3.1 W (high rotational speed)
Output battery operation:	approx. 2 W (high rotational speed)
Length of USB cable:	approx. 35.4 in / 90 cm
Dimensions:	approx. 6.4 x 4.4 x 1.5 in / 16.3 x 11.2 x 4 cm
Weight:	approx. 0.43 lbs / 193 g

Waste disposal and environmental protection

Disposing of the packaging

Sort the packaging before you dispose of it. Dispose of paperboard and cardboard with the recycled paper service and wrappings with the appropriate collection service.

Dispose of old electrical device



Old electrical products may not be disposed of as household waste!

If the product cannot be used anymore, each consumer **is obligated by law to dispose of old products separately from household waste**, e.g. at a municipal/city district collection point. It is thereby

ensured that old products are professionally recycled and negative effects on the environment are avoided. Therefore, electrical products are marked with the above symbol.



Batteries and battery packs must not be disposed of in the household waste!

As a consumer, you are obligated by law to return all batteries and battery packs, whether they contain harmful substances* or not, to a collection point in your community/urban district or to a retailer so that

they can be disposed of in an environmentally friendly manner. Batteries and battery packs must be disposed of separately from the product.

* marked with: Cd = cadmium, Hg = mercury, Pb = lead, Li = lithium

Contenido del suministro/piezas del dispositivo

- 1 Indicador de carga
- 2 Interruptor de velocidad de rotación
- 3 Conexión USB
- 4 Interruptor de encendido/apagado
- 5 Base
- 6 Cable USB

Índice

Vista general	2
Contenido del suministro/piezas del dispositivo	14
Información general	16
Leer y conservar el manual de instrucciones.....	16
Uso previsto.....	16
Explicación de los símbolos.....	16
Seguridad	17
Instrucciones de seguridad.....	18
Desembalaje y comprobación del contenido	21
Comprobación del producto y el contenido.....	21
Antes del primer uso	22
Funcionamiento	22
Limpieza	23
Limpieza del dispositivo.....	23
Inspección	23
Almacenamiento	24
Especificaciones técnicas	24
Eliminación y protección del medio ambiente	25
Eliminación del embalaje.....	25
Eliminar el dispositivo antiguo.....	25

Información general

Leer y conservar el manual de instrucciones



El manual de instrucciones es parte integrante de este ventilador portátil de 3.5 pulgadas, denominado en lo sucesivo también "producto". Incluye información importante sobre la puesta en marcha y el funcionamiento.

Lea atentamente este manual de instrucciones, y especialmente las indicaciones de seguridad, antes de usar el producto. No cumplir con este manual de instrucciones puede provocar lesiones graves o daños al producto.

Conserve el manual de instrucciones para su uso futuro. Incluya siempre este manual de instrucciones si entrega el producto a terceros.

Uso previsto

El producto ha sido diseñado exclusivamente para ventilar entornos inmediatos en interiores.

Este producto ha sido diseñado exclusivamente para el uso privado, no siendo apto para el uso comercial.

Emplee el producto únicamente de la forma descrita en este manual del usuario. Cualquier otro uso será considerado inapropiado y puede provocar daños materiales o lesiones a personas. El producto no es un juguete.

El fabricante o vendedor no asume ningún tipo de responsabilidad por los daños derivados de un uso incorrecto o inapropiado.

Explicación de los símbolos

En este manual de instrucciones, el producto o el embalaje se emplean los símbolos siguientes.



Este símbolo le ofrece información adicional importante para el montaje y el funcionamiento.



El producto posee la clase de protección III y funciona con baja tensión de seguridad (SELV).



Utilice el cable USB suministrado para conectarlo a una fuente de alimentación USB de 5 voltios.



PARTE 15 DE LA FCC

Este dispositivo cumple la Parte 15 de las Normas de la FCC. Su funcionamiento está sujeto a las dos condiciones siguientes: (1) este dispositivo no puede causar interferencias perjudiciales, y (2) este dispositivo debe aceptar cualquier interferencia recibida, incluyendo interferencias que puedan causar un funcionamiento no deseado.

Advertencia: Los cambios o modificaciones a esta unidad no aprobados expresamente por la parte responsable del cumplimiento podrían anular la autoridad del usuario para operar el equipo.

AVISO: Este equipo ha sido probado y cumple con los límites establecidos para los dispositivos digitales de Clase B, de acuerdo con la Parte 15 de las Normas de la FCC. Estos límites están diseñados para proporcionar una protección razonable contra interferencias perjudiciales en una instalación residencial. Este equipo genera, utiliza y puede irradiar energía de radiofrecuencia y, si no se instala y utiliza de acuerdo con las instrucciones, puede causar interferencias molestas en las comunicaciones de radio.

Sin embargo, no hay garantía de que no se produzcan interferencias en una instalación en particular. Si este equipo causa interferencias molestas en la recepción de radio o televisión, lo cual puede determinarse apagando y encendiendo el equipo, se recomienda intentar corregir la interferencia por medio de una o más de las siguientes medidas:

- Reorientar o reubicar la antena receptora.
- Aumentar la separación entre el equipo y el receptor.
- Conectar el equipo a un tomacorriente en un circuito diferente al que está conectado el receptor.
- Consulte al distribuidor o un técnico experimentado de radio/televisión para obtener ayuda.

Seguridad

En este manual de instrucciones se emplean los siguientes términos de aviso.

 **¡ADVERTENCIA!**

Este símbolo/término de aviso indica la existencia de un peligro con un nivel de riesgo medio que, si no se evita, puede provocar la muerte o lesiones graves.

 **¡PRECAUCIÓN!**

Este símbolo/término de aviso indica la existencia de un peligro con un nivel de riesgo bajo que, si no se evita, puede provocar lesiones leves o moderadas.

¡AVISO!

Este término de aviso advierte de posibles daños materiales.

Instrucciones de seguridad

MEDIDAS PREVENTIVAS IMPORTANTES

Cuando use equipos eléctricos, se deberían seguir siempre precauciones básicas de seguridad, incluidas las siguientes indicaciones de seguridad. Lea todas las instrucciones.

⚠ ¡ADVERTENCIA!

¡Peligro de descarga eléctrica!

Una instalación eléctrica defectuosa o una tensión demasiado alta pueden provocar una descarga eléctrica.

- Conecte el cable de conexión únicamente si la tensión de la fuente de tensión coincide con los datos indicados en la placa de características.
- El producto únicamente debe ser alimentado con baja tensión de protección (conforme a la marca de clase III del producto).

⚠ ¡ADVERTENCIA!

Peligros para niños y personas con discapacidad física, mental o sensorial (por ejemplo, discapacitados parciales, personas mayores con capacidad física y mental reducida) o falta de experiencia y conocimientos (por ejemplo, niños mayores).

- Este producto puede ser empleado por niños mayores de ocho años, así como personas con discapacidad física, mental o sensorial o falta de experiencia y conocimientos, si lo hacen

- bajo supervisión o han sido instruidos sobre el uso seguro del producto y entienden los peligros derivados del mismo.
- Mantenga a los niños menores de ocho años alejados del producto y el cable de alimentación
 - No deje el producto sin vigilancia durante el funcionamiento.
 - Está prohibido que los niños jueguen con el producto.
 - No deje a los niños jugar con la lámina de embalaje. Podrían enredarse y asfixiarse si juegan con ella.
 - Está prohibido que los niños realicen tareas de limpieza y mantenimiento de usuario sin vigilancia.

 **¡ADVERTENCIA!****¡Instrucciones de seguridad para las pilas recargables!**

- Mantenga las pilas / baterías recargables fuera del alcance de los niños. En caso de ingestión de alguna de sus partes, consulte inmediatamente a un médico.
- La batería recargable no es reemplazable. Cuando llega al final de su vida útil, hay que sustituir todo el producto.
- No intente nunca recargar baterías no recargables. No cortocircuite ni abra las pilas / baterías recargables. Esto puede provocar un sobrecalentamiento, un peligro de incendio o un estallido.
- Nunca arroje las pilas / baterías recargables al fuego o al agua.
- No someta las pilas / baterías recargables a esfuerzos mecánicos.



¡PRECAUCIÓN!

¡Riesgo de fuga de las pilas/baterías recargables!

- Evite exponer las baterías / pilas recargables a condiciones o temperaturas extremas, por ejemplo, sobre radiadores / luz solar directa.
- Evitar el contacto con la piel, los ojos y las mucosas. Después de cualquier contacto con el ácido de la batería, enjuague las partes del cuerpo afectadas con suficiente agua limpia y consulte inmediatamente a un médico.
- Las baterías / pilas recargables con fugas o dañadas pueden causar quemaduras químicas si entran en contacto con la piel. Por lo tanto, utilice guantes de protección adecuados para su manipulación.
- Retire inmediatamente del producto las pilas con fugas para evitar daños.

¡AVISO!

¡Riesgo de daños!

Un manejo inadecuado puede causar daños en el producto.

- Utilice el producto únicamente sobre una superficie de trabajo de fácil acceso, plana, seca, resistente al calor y con una estabilidad suficiente. Nunca coloque el producto en el borde o en el filo de la superficie de trabajo.
- Nunca coloque el producto sobre o cerca de superficies calientes (placas de cocción, etc.) ni exponga el producto a temperaturas elevadas (calefacción, etc.) o a los factores atmosféricos (lluvia, etc.).
- Nunca sumerja el producto en agua para limpiarlo ni emplee limpiadores a vapor para la limpieza. De lo contrario, el producto podría resultar dañado.

- Deje de usar el producto si componentes del mismo presentan grietas o rajaduras o se han deformado. Sustituya los componentes dañados siempre por piezas de recambio originales adecuadas.
- No repare ni modifique el producto por su cuenta. Encargue las reparaciones siempre a personal con la debida formación.
- No exponga el producto bajo ningún concepto a los factores atmosféricos, la radiación solar directa o la circulación de aire caliente.

GUARDE ESTAS INSTRUCCIONES.

Desembalaje y comprobación del contenido

Comprobación del producto y el contenido

⚠ ¡ADVERTENCIA!

¡Peligro de asfixia!

Los niños podrían enredarse y asfixiarse si juegan con la lámina de embalaje.

- Asegúrese de que los niños no jueguen con la lámina de embalaje.

¡AVISO!

¡Riesgo de daños!

La superficie del producto podría sufrir daños si el embalaje se abre sin cuidado con un cuchillo afilado u otros objetos puntiagudos.

- Actúe con cuidado al abrirlo.
1. Saque el producto del embalaje.
 2. Compruebe que la entrega está completa (véase el capítulo "Contenido del suministro/piezas del dispositivo").

Desembalaje y comprobación del contenido

3. Compruebe si el producto y las piezas individuales presentan daños. No utilice un producto dañado y póngase en contacto con la dirección indicada al final de este manual.

Antes del primer uso

¡AVISO!

¡Riesgo de daños!

Una carga inadecuada de las baterías integradas puede dañar el producto.

- Utilice únicamente el cable de carga suministrado para cargar el producto.
 - Cargue el producto sólo en habitaciones interiores y secas.
 - No utilice un cable de extensión USB.
 - Coloque el producto en una superficie fácilmente accesible, nivelada, seca y suficientemente estable.
 - Asegúrese de que el producto esté bien sujeto en su sitio.
1. Despliegue la base **5** hasta alcanzar la inclinación deseada.
 2. Conecte el cable USB **6** a la conexión USB **3** y una fuente de corriente. El indicador de carga **1** cambia en función del estado de carga.

Durante la carga

El indicador de carga se ilumina en rojo durante la carga.

El indicador de carga se ilumina en azul cuando la carga está completa.

El indicador de carga no se enciende cuando se completa la carga y se retira el cable USB.

Durante el funcionamiento

Batería por encima del 15 %: El indicador de carga no se enciende.

Batería por debajo del 15 %: El indicador de carga se ilumina en rojo.

3. Coloque el producto sobre una superficie plana.

Funcionamiento



El dispositivo puede funcionar con un cable USB o la batería integrada. La potencia del producto es mayor si se emplea con un cable USB.

1. Deslice el interruptor de encendido/apagado **4** a la posición ON para encender el dispositivo.
2. Pulse el interruptor de velocidad de rotación **2**.
Pulsando una vez: el ventilador funciona a baja velocidad.
Pulsando dos veces: el ventilador funciona a alta velocidad.
Pulsando tres veces: el ventilador se detiene.



Deslice el interruptor de encendido/apagado **4** a la posición OFF para apagar el dispositivo si no se está usando.

Limpieza

¡AVISO!

¡Riesgo de daños!

Un manejo inadecuado del producto puede provocar daños al mismo.

- No use detergentes agresivos, cepillos con cerdas de metal o nailon, o productos de limpieza afilados o metálicos como cuchillos, espátulas duras o similares. Estos podrían dañar las superficies.

Limpieza del dispositivo

Limpie las superficies con un paño seco.

Inspección

Antes de cada uso verifique:

- si el producto presenta daños,
- si los elementos de control presentan daños,
- si los accesorios están en perfectas condiciones,
- si las ranuras de ventilación están libres y limpias.

No ponga un producto o accesorios defectuosos en funcionamiento. Encargue la inspección y la reparación al fabricante, su servicio de atención al cliente o una persona con cualificación equivalente.

Almacenamiento

¡AVISO!

¡Riesgo de daños!

El almacenamiento inadecuado del producto puede causar daños.

- Guarde el producto en un lugar limpio, seco, protegido de las heladas e inaccesible para los niños.

Todas las piezas deberán estar completamente secas antes de guardarlo.

- Guarde el producto siempre en un lugar seco.
- Proteja el producto de la radiación solar directa.
- Guarde el producto en un lugar inaccesible para los niños, bien cerrado, a una temperatura de almacenaje entre +5 °C y +20 °C (temperatura ambiente).

1. Limpie bien el producto (véase el capítulo «Limpieza»).
2. Enrolle el cable de conexión USB sin que se formen nudos o se doble.
3. No ponga ningún objeto sobre el producto mientras esté guardado.

Especificaciones técnicas

Modelo:	1159-BK; 1159-DG; 1159-BL
Número de artículo:	832551
Tipo de pila recargable:	3.7 V ===; iones de litio, 2,900 mAh
Tensión de alimentación:	Entrada (USB): 5 V / 2 A
Clase de protección:	ⓘ
Tiempo de funcionamiento máx. con pila:	aprox. 300 minutos en alta velocidad
Duración de la carga:	aprox. 4 horas con alimentación de 5 V / 2 A
Niveles de velocidad de rotación:	2
Potencia de funcionamiento con USB:	aprox. 3.1 W (velocidad de rotación alta)
Potencia de funcionamiento con pila:	aprox. 2 W (velocidad de rotación alta)
Longitud del cable USB:	aprox. 35.4 in / 90 cm
Dimensiones:	aprox. 6.4 x 4.4 x 1.5 in / 16.3 x 11.2 x 4 cm
Peso:	aprox. 0.43 lbs / 193 g

Eliminación y protección del medio ambiente

Eliminación del embalaje

Elimine el embalaje por tipos de material. Deseche el papel y cartón a través del servicio de papel reciclado, y los envoltorios a través del servicio de recolección apropiado.

Eliminar el dispositivo antiguo



Los dispositivos viejos no deben eliminarse en la basura doméstica.

Si ya no se puede usar el producto, todo usuario está **obligado por ley a separar los dispositivos viejos de la basura doméstica** y llevarlos, por ejemplo, a un punto de recogida municipal o del distrito. De este modo, se puede garantizar que los dispositivos viejos se reciclan adecuadamente y se evitan consecuencias negativas para el medio ambiente. Por este motivo, los dispositivos eléctricos están señalizados con el símbolo que aparece arriba.



Las pilas y baterías no deben desecharse en la basura doméstica.

Como usuario, está obligado por ley a entregar todas las pilas y baterías en un punto de recogida de su comunidad, distrito o en los comercios, independientemente de si estas contienen sustancias nocivas* o no para que se pueda proceder a su eliminación de forma respetuosa con el medioambiente. Las baterías y pilas deben desecharse separadas del producto.

* Señalizadas con: Cd = cadmio, Hg = mercurio, Pb = plomo, Li = litio