

User Manual

Manual del usuario



HUNTINGTON HOME®

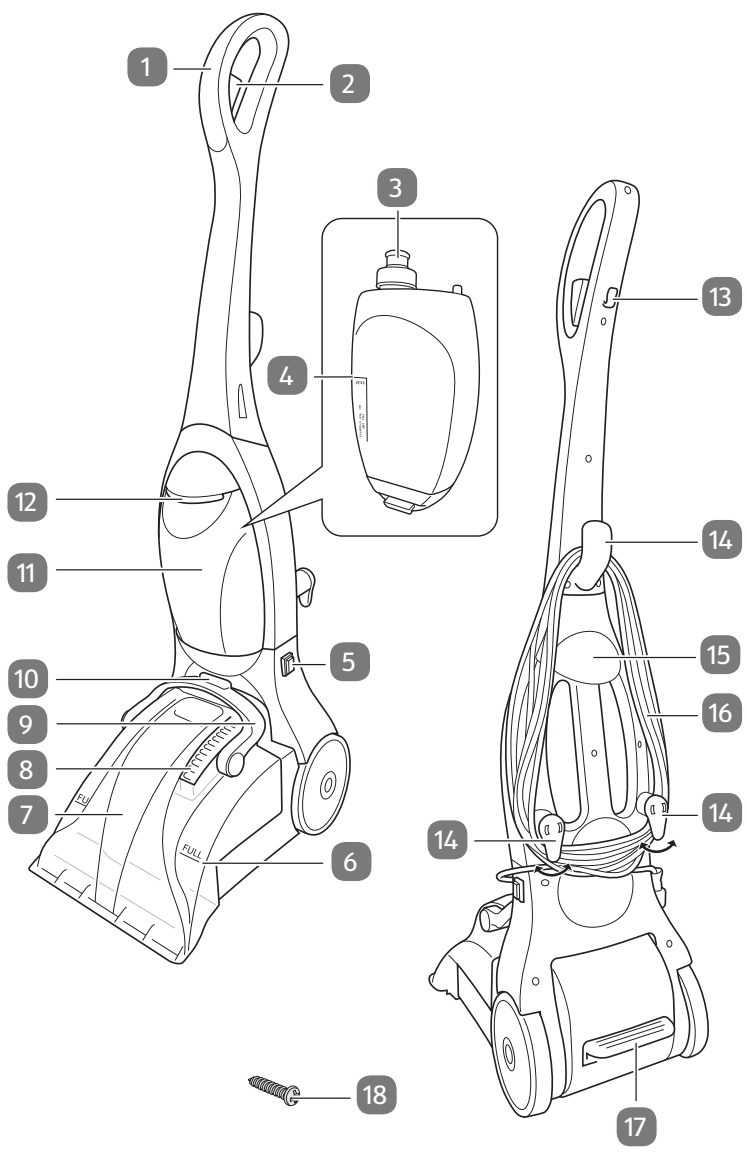
CARPET CLEANER

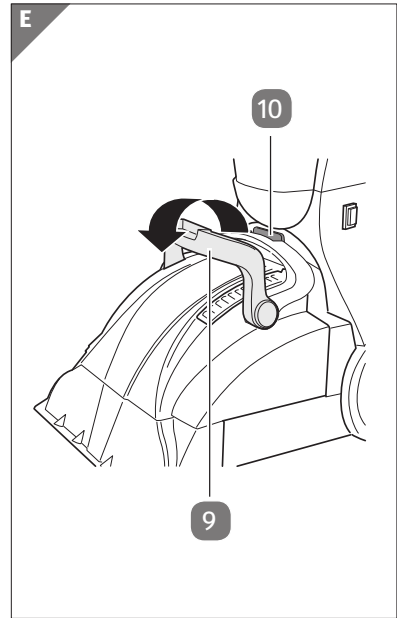
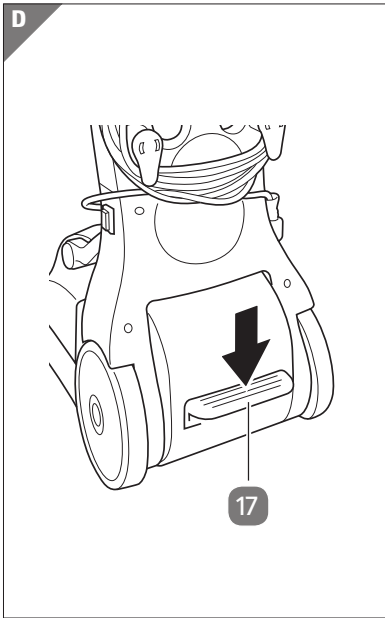
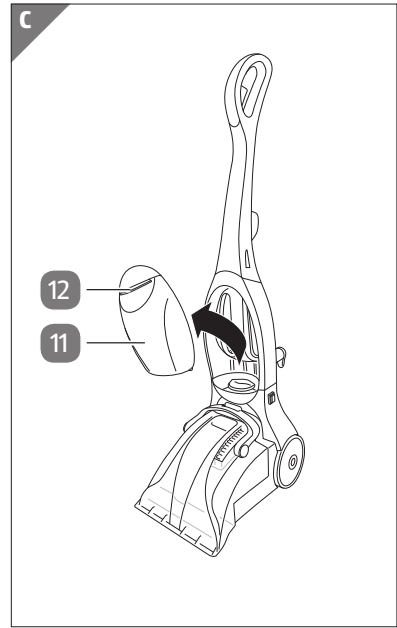
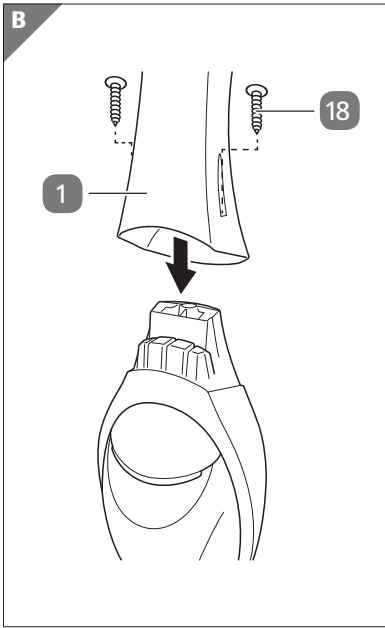
LAVADORA DE ALFOMBRAS

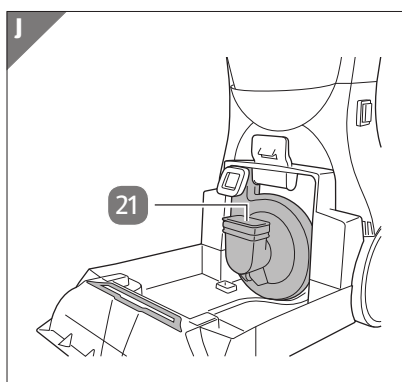
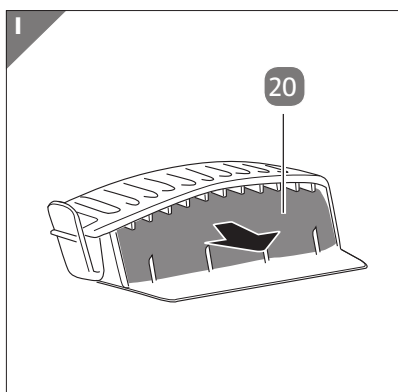
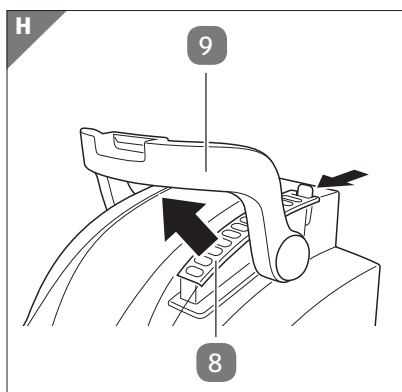
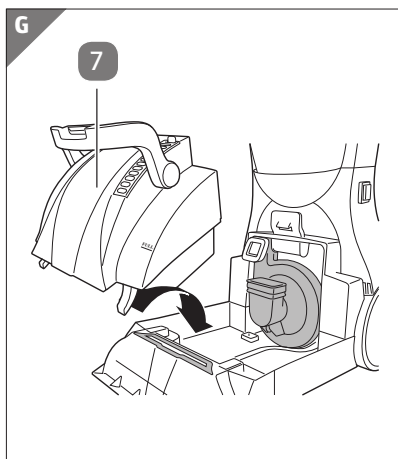
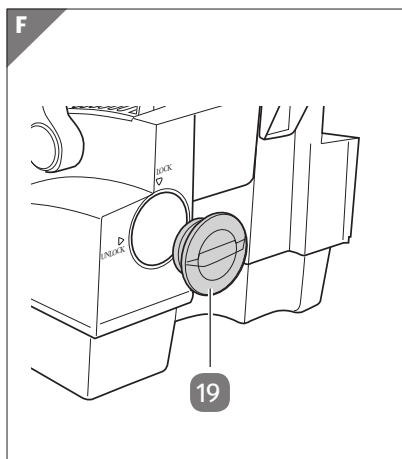


English..... 5
Español..... 22

A







Components

- 1 Handle
- 2 Solution release trigger
- 3 Water solution tank cap
- 4 Maximum filling line (FULL)
- 5 On/off switch (I/O)
- 6 Full line
- 7 Dirty water tank
- 8 Exhaust filter housing
- 9 Dirty water tank handle
- 10 Dirty water tank locking latch
- 11 Water solution tank
- 12 Water solution tank release lever
- 13 Cord clip
- 14 Cord hook, 3x
- 15 Carrying handle
- 16 Mains cord
- 17 Handle release pedal
- 18 Screw, 2x
- 19 Dirty water tank cap
- 20 Filter
- 21 Motor filter

Required tools (not included)

- 22 Crosshead screwdriver



Table of content

Overview	2
Components	5
General information	7
Reading and storing the operating manual.....	7
Intended use.....	7
Explanation of symbols.....	7
Safety	8
General safety instructions.....	8
Check the product and scope of delivery	13
Assembly	13
Carpet preparation	14
Operation	14
Filling the water solution tank.....	14
Cleaning a carpet.....	15
Tips for carpet cleaning.....	16
Emptying the dirty water tank.....	17
Cleaning	17
Cleaning the filters.....	18
Cleaning the product.....	19
Storage	19
Troubleshooting	20
Technical data	20
Disposal	21

General information

Reading and storing the operating manual



This user manual accompanies this carpet cleaner (hereafter referred to as the “product”), and contains important information on setup and handling.

Before using the product, read the user manual carefully. This particularly applies to the safety instructions. Failure to do so may result in personal injury or damage to the product.

Store the user manual for further use. Make sure to include this user manual when passing the product on to third parties.

Intended use

The product is exclusively designed for cleaning carpets and rugs. It is only intended for private use and not suitable for commercial purposes.

Only use the product as described in this user manual. Any other use is considered improper and may result in damage to property or persons.

The manufacturer or vendor cannot be held liable for damages or injury incurred through improper or incorrect use.

Explanation of symbols

The following symbols are used in this operating manual, on the product or on the packaging.



This symbol provides you with useful additional information on handling and use.



A double insulated appliance is marked with one or more of the following: The words “DOUBLE INSULATION” or “DOUBLE INSULATED” or the double insulation symbol (square within a square).



This product has a 36 month (3-year) warranty.

Safety

The following signal words are used in this operating manual.

⚠ WARNING!

This signal symbol/word denotes a hazard with an average risk level that could lead to death or severe injury if it is not avoided.

⚠ CAUTION!

This signal symbol/word denotes a hazard with a low risk level that could lead to mild or moderate injury if it is not avoided.

NOTE!

This signal word provides a warning about potential material damage.

General safety instructions

IMPORTANT SAFETY INSTRUCTIONS

WHEN USING AN ELECTRICAL APPLIANCE; BASIC PRECAUTIONS SHOULD ALWAYS BE FOLLOWED; INCLUDING THE FOLLOWING.

READ AND SAVE ALL INSTRUCTIONS BEFORE USING THIS PRODUCT

Read and understand all instructions. Failure to follow all instructions listed below may result in electric shock, fire or serious personal injury. The warnings, cautions, and instructions discussed in this user manual cannot cover all possible conditions and situations that may occur. It must be understood by the operator that common sense and caution are factors which cannot be built into this product but must be supplied by the operator.

⚠ WARNING!**To reduce the risk of fire, electric shock or injury:**

- **DO NOT USE THIS PRODUCT AS A DRY VACUUM.**
- **THIS PRODUCT IS INTENDED FOR HOUSEHOLD USE ONLY.**
- Do not leave the product when plugged in. Unplug from the outlet when not in use and before servicing.
- To protect against electrical shock, do not immerse power cord or plug in water or any other liquid. This is an electrical appliance. To avoid the risk of electrical shock or serious personal injury, always operate with dry hands.
- Close supervision is necessary when any appliance is being used by or near children. This product is not intended for use by persons (including children) with reduced physical, sensory or mental capabilities, or lack of experience and knowledge, unless they have been given supervision or instruction concerning the use of the product by a person responsible for their safety.
- Do not use the product outdoors. It is for indoor use only.
- Do not allow the product to be used as a toy. Close attention is necessary when the product is used by or near children.
- Do not use the product with a damaged cord or outlet plug.
- Do not use the product if it has been dropped, damaged, left outdoors, or dropped in water. Return the product to the service center for examination, repair or refund or contact customer service.
- Do not attempt to change the accessories while the product is running.
- Do not handle the plug or the product with wet hands.
- Use the product only as described in this user manual.

The use of accessory attachments not recommended by the manufacturer may cause damage to the product or personal injuries.

- Always unplug the product before filling the solution tank.
- Thoroughly vacuum the carpet to be cleaned before cleaning with this product.
- Do not over saturate the carpets.
- Do not use solvents, cleaners with strong acidic or strong alkali formulas, or any type of cleaning solution not specifically for use in carpet cleaning machines.
- Do not put any object into openings of the product. Do not use with any opening blocked. Keep free of dust, lint, hair and anything that may reduce air and water flow.
- Keep hair, loose clothing, fingers, and all parts of body away from openings and moving parts.
- Use extra care when cleaning on stairs.
- Do not use abrasive materials to clean the product. Do not immerse the product in water.
- Do not use the product on concrete, tar, or similar rough surfaces.
- Do not clean tasseled or frayed carpets or pick up pieces of string or fabrics with the product.
- Do not use the product to clean up flammable or combustible liquids such as gasoline or use in areas where they may be present. Do not use flammable or combustible liquids to clean the floor.
- Do not pick up anything that is burning or smoking, such as cigarettes, matches or hot ashes.
- Do not use the product without the water tanks in place. Do not remove the water tanks while the product is running.

-
- Store the product indoors and store it after use to prevent accidents.
 - Do not abuse the power cord. Never carry the product by the power cord or pull the power cord to disconnect the outlet plug from an outlet; instead grasp the outlet plug and pull to disconnect.
 - Unplug from the outlet when not in use and before cleaning.
 - Do not let cord hang over edge of counter or touch hot surfaces.
 - Do not place on or near a hot gas or electric burner, or in a heated oven.
 - To disconnect, always turn OFF the product first, then unplug from the wall outlet.
 - Do not run the product over the power cord as this could damage the power cord and its insulation.
 - Do not store the product with any solutions or water in the clean and/or the dirty water tanks.
 - The product is provided with double insulation. Use only identical replacement parts, if available. See instruction for servicing of double-insulated appliances.
 - If the electric circuit is overloaded with other appliances, the product may not operate properly. The product should be operated on a separated electrical circuit from other operating appliances.
 - Only connect the product if the line voltage of the outlet corresponds to the data on the rating plate.
 - The product must be unplugged before any cleaning or maintenance, and if it appears to be faulty.
 - Make sure that children do not play with the plastic wrapping. They may get caught in it when playing and suffocate.

- Never expose the product to high temperatures (heaters etc.) or to the effects of the weather (rain etc.).
- Stop using the product if any of the parts are cracked, broken, or deformed. Only replace damaged parts with corresponding original spare parts.
- Do not use the product to suck up any liquid other than the cleaning solution dispensed from it.
- Do not use the product to suck up such wet or damp materials as mud, tile grout, plaster filler, or caulking.
- Do not pull or carry by the power cord, use the cord as a handle, close a door on the cord, or pull the cord around sharp edges or corners. Do not run the product over the cord. Keep the cord away from heated surfaces.



A double insulated appliance is marked with one or more of the following: The words “DOUBLE INSULATION” or “DOUBLE INSULATED” or the double insulation symbol (square within a square).

Servicing double-insulated appliances

- In a double-insulated appliance, two systems of insulation are provided instead of grounding. No grounding means are provided on a double-insulated appliance, nor should a means for grounding be added. Servicing a doubleinsulated appliance requires extreme care and knowledge of the system and should be done only by qualified service personnel. Replacement parts for a double-insulated appliance must be identical to the parts they replace.

Polarized plug instructions

- This product is equipped with a polarized plug (one blade is wider than the other). To reduce the risk of electric shock, this plug will fit into the polarized outlet only one way. If the plug does not properly fit into the outlet at first,

reverse it. If it still does not fit, contact a qualified electrician. Do not attempt to modify the plug in any way.

SAVE THESE INSTRUCTIONS

Check the product and scope of delivery

NOTE!

Risk of damage!

If opening the packaging with a sharp knife or other pointed object, be careful to avoid damaging the product's surface.

- Proceed carefully with opening the packaging.
1. With both hands, lift the product out of the packaging.
 2. Check that the delivery is complete (see chapter "Components").
 3. Inspect the product and individual parts for damage. Do not operate a damaged product, instead, contact the manufacturer via the service center listed on the warranty card.

Assembly

⚠ CAUTION!

Risk of injury!

Improper handling of the product may cause injury.

- Do not connect the product to a mains socket until it is fully assembled.
 - Do not operate the product without the handle being firmly screwed into place.
1. Set the product in an upright position.
 2. Place the handle **1** firmly onto the main body of the product (see **Fig. B**). Make sure that the cord clip **13** is on the same side as the cord hooks **14**.
 3. Using a crosshead screwdriver **22**, drive one screw **18** into each side of the handle and fasten them securely (see **Fig. B**).

Do not overtighten the screws, as this could strip the screw holes.

Carpet preparation

NOTE!

Risk of damage!

Using the product as a dry vacuum will damage it.

- Only use the product with an appropriate carpet cleaning solution.
- 1. Remove as much furniture from the room as possible. Place a plastic or other protective covering under and around any furniture left in the room.
- 2. Thoroughly vacuum the carpet to be cleaned with a regular vacuum cleaner.
- 3. Dampen a white cloth with the carpet cleaning solution you are going to use with the product.
- 4. Rub the cloth gently over a small test area on the carpet and check for any colour bleeding. If the cloth remains clean, it should be safe to clean the carpet.

Operation

Filling the water solution tank

⚠ CAUTION!

Risk of injury!

Improper handling of the product may cause injury.

- Always unplug the product before filling the water solution tank.
- Avoid prolonged skin contact with cleaning solutions.
- Keep carpet cleaning solution out of the reach of children.
- In case of contact with eyes, rinse immediately with plenty of water and seek medical advice.

NOTE!**Risk of damage!**

Using the product without the water solution tank in place or with a wrong solution may damage the product.

- Always make sure that the water solution tank is properly in place before using the product.
- Do not use any solvents, cleaners with strong acidic or strong alkali formulas, or any type of cleaning solution not specifically for use in carpet cleaning machines.



- Only use suitable (low-foaming) carpet cleaning solution. Using incorrect solutions may cause excess foaming, which will prevent the product from working effectively.
- Carpet cleaning solution is NOT included. Most commercially available low foaming carpet cleaning solutions may be used. Always read the manufacturer's instructions before use.

1. Unplug the product.
2. Lift up on the water solution tank release lever **12** and then remove the water solution tank **11** from the product (see **Fig. C**).
3. Unscrew and then remove the water solution tank cap **3** from the water solution tank.
4. Following the instructions on the bottle, add the cleaning solution and then fill the water solution tank with warm tap water (max. 40 °C / 104 °F). Do not fill over the maximum filling line (FULL) **4**.
5. Replace the water solution tank cap.
6. Place the water solution tank back into position by pushing it down until it clicks into place.



Repeat the steps above (except step 4) to empty the water solution tank after use and before storage.

Cleaning a carpet

- Before cleaning, determine where to start and stop, making sure you will not walk over previously cleaned areas.
- Do not oversaturate the carpet with cleaning solution.
- For heavily soiled areas, additional applications may be necessary.

Operation

1. Plug the mains cord **16** into a mains socket and turn the product on by setting the on/off switch **5** to the ON position (**I**).
2. Step on the handle release pedal **17** to lower the handle **1** into the cleaning position (see **Fig. D**).
3. While pressing the solution release trigger **2**, pull the product in a backwards direction towards you.
4. Release the solution release trigger and push the product forwards in the same path to remove the dirty cleaning solution from the carpet.
5. Repeat steps 3–4 to clean other parts of the carpet or heavily soiled areas.
6. When cleaning is done, turn the product off by setting the on/off switch to the OFF position (**O**).
7. Push the handle forwards until it is positioned upright and locked into place.
8. Unplug the product and wrap the mains cord around the cord hooks **14**.

Tips for carpet cleaning

- Use the carrying handle **15** to lift up the product and move it to the desired cleaning location.
- Do not run the product over the mains cord **16** by holding any excess cord in your free hand while cleaning.
- Use a steady, moderate, forwards and backwards motion.
- Always work from back to front across a room to avoid stepping on wet carpet.
- Do not make the carpet too wet. Use no more than two sets of forwards and backwards strokes while releasing carpet cleaning solution. Always follow with dry strokes; the more dry strokes the better.
- Wipe any cleaning solution from woodwork and furniture to prevent any damage.
- Allow plenty of time for the carpet to dry and avoid walking on it until it is dry.
- Increased air circulation (open doors, fans, etc.) or the use of a dehumidifier will help the carpet dry thoroughly and prevent the growth of mold or mildew.
- Vacuum the carpet thoroughly before cleaning it and after it has dried.

Emptying the dirty water tank

CAUTION!


Risk of injury!





Improper handling of the product may cause injury.

- Always unplug the product before emptying the dirty water tank.



An automatic shut-off device prevents the product from picking up more dirty water than the dirty water tank can hold. You will know the dirty water tank needs to be emptied when:

- the motor sound rises in pitch,
- the dirty solution has reached the FULL line  in the dirty water tank.

1. Unplug the product.
2. Unlock the dirty water tank  by pressing the dirty water tank locking latch  and lifting up the dirty water tank handle  at the same time (see **Fig. E**).
3. Remove the dirty water tank from the product.
4. Open the dirty water tank cap  by turning it anticlockwise, so the grip points to the word “unlock” (see **Fig. F**).
5. Empty the dirty water tank, replace the dirty water tank cap and turn it to the “lock” position. Then place the dirty water tank back into the product (see **Fig. G**).
6. Push the dirty water tank handle down until the dirty water tank locking latch clicks into place.

Cleaning

CAUTION!

Risk of injury!

Improper handling of the product may cause injury.

- Always unplug the product when not in use, refilling the tanks, cleaning it, or performing maintenance.

NOTE!

Risk of damage!

Improper handling of the product may result in damage.

- Do not use any aggressive cleaners, brushes with metal or nylon bristles, or sharp or metallic cleaning utensils such as knives, hard scrapers and the like. They could damage the surfaces.
- Never immerse the motor unit in water or any other liquids and do not rinse it under the tap or with a hose.

Cleaning the filters

NOTE!

Risk of damage!

Improper handling of the product may result in damage.

- Do not clean the filters with any chemicals as this will destroy them.
1. Remove the dirty water tank **7** as described in the chapter “Emptying the dirty water tank”.
 2. Remove the exhaust filter housing **8** from the dirty water tank (see **Fig. H**).
 3. Pull out the filter **20** from the exhaust filter housing (see **Fig. I**).
 4. Rinse the filter with warm water (max. 40 °C / 104 °F). Allow the filter to dry thoroughly.
 5. Replace the filter and put the exhaust filter housing back into the dirty water tank.
 6. With the dirty water tank still removed, pull out the motor filter **21** (see **Fig. J**).
 7. Rinse the motor filter with warm water. Allow the motor filter to dry thoroughly.
 8. Replace the motor filter and put the dirty water tank back into the product as described in the chapter “Emptying the dirty water tank”.

Cleaning the product

1. Unplug the product.
2. Make sure the water solution tank **11** and the dirty water tank **7** are empty (see chapter “Filling the water solution tank” and “Emptying the dirty water tank”).
3. Use a soft damp cloth to wipe off the product and accessories. Then let all parts dry completely.

Storage

NOTE!

Risk of damage!

Mineral deposits and mildew can form when cleaning solution and/ or water is left in the tanks, affecting the performance of the product.

- Do not store the product with cleaning solution left in the water solution tank or dirty water left in the dirty water tank.

All parts must be completely dry before being stored.


- Always store the product in a dry area.
- Protect the product from direct sunlight.
- Store the product so that it is not accessible to children.

Troubleshooting

Some problems may be caused by minor faults that you can fix yourself. To do so, follow the instructions in the following table. If it is still not possible to resolve the problem, contact customer service. Do not repair the product yourself.

Problem	Solution
The product will not operate.	<ul style="list-style-type: none"> - Make sure the product is plugged in. - Make sure that the main socket is not defective.
Not enough suction during cleaning.	<ul style="list-style-type: none"> - Empty the dirty water tank 7; it may be full and the automatic shut-off engaged. - Make sure the dirty water tank is properly installed.
Cleaning solution will not dispense.	<ul style="list-style-type: none"> - Make sure the water solution tank 11 is fully inserted and securely in place. - Refill the water tank if it is empty.

Technical data

Model:	VC93855
Power supply:	120 V~ 60 Hz
Output:	600 W
Protection class:	II 
Water solution tank capacity:	1.3 L to FULL line (max. capacity 2.3 L)
Dirty water tank capacity:	1.7 L to FULL line (max. capacity 2.5 L)
Product code:	813705

Disposal

Disposing of the packaging



- Sort the packaging before you dispose of it. Dispose of paperboard and cardboard with the recycled paper service and wrappings with the appropriate collection service.

Disposing of the product

- Should the product no longer be capable of being used at some point in time, **dispose of it in accordance with the regulations in force in your city or state.**
- Please ensure your recycling information applies to local regulations and the EPA recommendations (www.epa.gov).

Componentes

- | | | | |
|----|--|----|--|
| 1 | Asa | 12 | Palanca de liberación del depósito de solución de agua |
| 2 | Botón de liberación de solución | 13 | Sujetador del cable |
| 3 | Tapón del depósito de solución de agua | 14 | Ganchos para el cable |
| 4 | Línea de llenado máximo (FULL) | 15 | Asa de transporte |
| 5 | Interruptor de encendido/apagado (I/O) | 16 | Cable eléctrico |
| 6 | Línea de llenado máximo | 17 | Pedal de liberación del asa |
| 7 | Depósito de agua sucia | 18 | 2× tornillos |
| 8 | Carcasa del filtro de gases | 19 | Tapón del depósito de agua sucia |
| 9 | Asa del depósito de agua sucia | 20 | Filtro |
| 10 | Seguro de bloqueo del depósito de agua sucia | 21 | Filtro de motor |
| 11 | Depósito de solución de agua | | |

Herramientas requeridas (no incluidas)

- 22 Destornillador de estrella



Contenido

Vista general	2
Componentes	22
Información general	24
Leer y conservar el manual de instrucciones.....	24
Uso previsto.....	24
Explicación de los símbolos.....	24
Seguridad	25
Indicaciones de seguridad generales.....	25
Comprobación del dispositivo y el contenido del suministro	30
Ensamblaje	32
Preparación de la alfombra	32
Funcionamiento	33
Llenado del depósito de solución de agua.....	33
Limpieza de una alfombra.....	34
Consejos para la limpieza de alfombras.....	35
Vaciado del depósito de agua sucia.....	35
Limpieza	36
Limpieza de los filtros.....	37
Limpieza del producto.....	38
Almacenamiento	38
Resolución de problemas	39
Especificaciones técnicas	39
Eliminación	40

Información general

Leer y conservar el manual de instrucciones



El presente manual del usuario se adjunta a esta lavadora de alfombras (en lo sucesivo denominada como “producto”) y contiene información importante sobre la puesta en marcha y el uso.

Antes de usar el producto, lea detenidamente el manual del usuario. Especialmente las instrucciones de seguridad. De lo contrario, pueden producirse lesiones o daños en el producto.

Guarde el manual del usuario para uso posterior. Asegúrese de incluir este manual del usuario cuando entregue el producto a terceros.

Uso previsto

El producto ha sido diseñado exclusivamente para la limpieza de alfombras y moquetas. Solo está prevista para uso privado, no para fines comerciales.

Utilice el producto únicamente como se describe en este manual del usuario. Cualquier otro uso se considera inapropiado, y puede provocar daños materiales o lesiones personales.

El fabricante o proveedor no asume ninguna responsabilidad por lesiones o daños derivados de un uso inapropiado o incorrecto.

Explicación de los símbolos

En este manual de instrucciones, el producto o el embalaje se emplean los símbolos siguientes.



Este símbolo le ofrece información adicional importante para el montaje o el funcionamiento.



Un equipo de doble aislamiento está marcado con uno o más de los siguientes: las palabras "doble aislamiento" o "doblemente aislado" o el símbolo de doble aislamiento (un cuadrado dentro de otro).



Periodo de garantía: 36 meses (3 años)

Seguridad

En este manual de instrucciones se emplean los siguientes términos de aviso.

¡ADVERTENCIA!

Este símbolo/término de aviso indica la existencia de un peligro con un nivel de riesgo medio que, si no se evita, puede provocar la muerte o lesiones graves.

¡PRECAUCIÓN!

Este símbolo/término de aviso indica la existencia de un peligro con un nivel de riesgo bajo que, si no se evita, puede provocar lesiones leves o moderadas.

¡AVISO!

Este término de aviso advierte de posibles daños materiales.

Indicaciones de seguridad generales

INSTRUCCIONES IMPORTANTES DE SEGURIDAD

CUANDO USE UN EQUIPO ELÉCTRICO, SE DEBEN SEGUIR SIEMPRE PRECAUCIONES BÁSICAS, INCLUIDO LO SIGUIENTE.

LEA Y GUARDE TODAS LAS INSTRUCCIONES ANTES DE USAR ESTE PRODUCTO

Lea y comprenda todas las instrucciones. Hacer caso omiso de las instrucciones que se indican a continuación podría resultar en descarga eléctrica, incendio y lesiones personales graves. Las advertencias, precauciones e instrucciones que se discuten en este manual del usuario no pueden cubrir todas condiciones y situaciones posibles que podrían suceder. El operario debe comprender que el sentido común y la precaución son factores que no pueden incluirse en este producto, sino que debe aportarlos el operario.

⚠ ¡ADVERTENCIA!

Para reducir el riesgo de incendio, descarga eléctrica o lesiones:

- **NO UTILICE ESTE PRODUCTO COMO ASPIRADORA EN SECO.**
- **ESTE PRODUCTO ESTÁ DESTINADO EXCLUSIVAMENTE AL USO DOMÉSTICO.**
- No deje el producto desatendido cuando esté enchufado. Desenchúfelo del tomacorriente cuando no lo esté usando y antes del mantenimiento.
- Para protegerse de descargas eléctricas, no sumerja el cable eléctrico ni los enchufes en agua u otros líquidos. El producto es un equipo eléctrico. Para evitar el riesgo de descarga eléctrica o lesiones personales graves, utilice siempre el producto con las manos secas.
- Se debe supervisar bien a los niños si están utilizando el equipo o este se utiliza cerca de ellos. Este producto no está diseñado para ser usado por personas (incluidos niños) con problemas físicos, sensoriales o mentales, o falta de experiencia y conocimientos, a menos que estén supervisadas o instruidas en relación con el uso del producto por una persona responsable de su seguridad.
- No utilice el producto al aire libre. Solo apto para uso en interiores.
- No permita que el producto se utilice como un juguete.
- Se debe supervisar bien a los niños si están utilizando el producto o este se utiliza cerca de ellos.
- No utilice el producto con un cable o enchufe dañados.
- No utilice el producto si se ha caído, dañado, dejado al aire libre o si se ha caído al agua. Devuelva el producto al centro de servicio para su inspección, reparación o reembolso, o póngase en contacto con el departamento de atención al cliente.

-
- No intente cambiar los accesorios mientras el producto esté en funcionamiento.
 - No manipule el enchufe ni el producto con las manos húmedas.
 - Utilice el producto únicamente como se describe en este manual del usuario. El uso de accesorios que no estén recomendados por el fabricante podrían causar daños al producto o lesiones personales.
 - Desenchufe siempre el producto antes de llenar el depósito de solución de agua.
 - aspire a fondo la alfombra a limpiar antes de llevar a cabo la limpieza con este producto.
 - No sobrecargue las alfombras.
 - No utilice disolventes, limpiadores con fórmulas alcalinas o ácidas fuertes, o cualquier tipo de solución limpiadora que no sea específica para usar en máquinas limpiadoras de alfombras.
 - No coloque ningún objeto en las aberturas del producto. No utilice el producto con las aberturas bloqueadas. Manténgalo libre de polvo, pelusa, pelo o cualquier cosa que pueda reducir el flujo de aire y agua.
 - Mantenga el pelo, las prendas holgadas, los dedos y demás partes del cuerpo alejados de las aberturas y piezas móviles.
 - Tenga mucho cuidado al limpiar escaleras.
 - No utilice materiales abrasivos para limpiar el producto. No sumerja el producto en agua.
 - No utilice el producto sobre cemento, asfalto o superficies ásperas similares.
 - No limpie alfombras desflecadas o deshilachadas ni recoja trozos de hilo o tela con el producto.
 - No utilice el producto para aspirar líquidos inflamables o combustibles como gasolina ni lo utilice en áreas donde

- pueda haberlos. No utilice líquidos inflamables o combustibles para limpiar el suelo.
- No recoja nada que esté ardiendo o que eche humo como cigarrillos, cerillas o cenizas calientes.
 - No utilice el producto sin los depósitos en su sitio. No retire los depósitos de agua mientras el producto esté en funcionamiento.
 - Almacene el producto en interiores y almacénelo después del uso para prevenir accidentes.
 - No someta el cable eléctrico a fuerza. No transporte nunca el producto llevándolo por el cable ni tire del cable eléctrico para desconectarlo del tomacorriente; en su lugar, agarre el enchufe y tire de este para desconectar el producto.
 - Desenchufe el equipo del tomacorriente cuando no lo use y antes de limpiarlo.
 - No deje el cable eléctrico colgando sobre el borde de la encimera ni tocando superficies calientes.
 - No coloque el producto encima o cerca de quemadores calientes eléctricos o de gas, o en un horno calentado.
 - Para desconectarlo, coloque el producto en OFF y, a continuación, desenchúfelo del tomacorriente de pared.
 - No pase el producto sobre el cable eléctrico, pues esto podría dañar el cable eléctrico y su aislamiento.
 - No almacene el producto con soluciones o agua en los depósitos de agua limpia y/o sucia.
 - El producto cuenta con un aislamiento doble. Utilice únicamente piezas de repuesto idénticas. Véase las instrucciones para el mantenimiento de equipos con aislamiento doble.
 - Si el circuito eléctrico se sobrecarga con otros equipos, el producto podría no funcionar correctamente. El producto

debería funcionar en un circuito eléctrico distinto del de los demás equipos en uso.

- Conecte el producto únicamente si la tensión de red del tomacorriente coincide con los datos de la placa de características.
- Se debe desconectar el producto antes de llevar a cabo cualquier trabajo de limpieza o mantenimiento si se sospechara que está defectuoso.
- Asegúrese de que los niños no jueguen con el embalaje de plástico. Pueden enredarse mientras juegan y asfixiarse.
- No exponga nunca el producto a altas temperaturas (calefacción, etc.) o inclemencias meteorológicas (lluvia, etc.).
- Deje de usar el producto si alguna de sus partes presenta grietas, roturas o si está deformada. Los componentes dañados solo deben sustituirse por piezas de repuesto originales y adecuadas.
- No utilice el producto para aspirar otros líquidos que no sean la solución limpiadora utilizada.
- No utilice el producto para aspirar materiales mojados o húmedos como barro, lechada de baldosas, relleno de revoque o enmasillado.
- No tire del cable eléctrico ni transporte el producto por el cable, no utilice el cable como si fuera un asa, no cierre la puerta con el cable atravesándola ni pase el cable por esquinas puntiagudas. No pase el producto por encima del cable. Mantenga el cable alejado de superficies calientes.



Un equipo de doble aislamiento está marcado con uno o más de los siguientes: las palabras "doble aislamiento" o "doblemente aislado" o el

símbolo de doble aislamiento (un cuadrado dentro de otro).

Mantenimiento de equipos con aislamiento doble

- En un equipo con aislamiento doble hay dos sistemas de aislamiento en vez de la conexión a tierra. No se facilitan medios de conexión a tierra en un equipo con aislamiento doble ni se debería añadir un medio para la conexión a tierra. El mantenimiento de un equipo con aislamiento doble requiere mucho cuidado y conocimientos del sistema, y solo debería ser llevado a cabo por personal técnico cualificado. Las piezas de repuesto de un equipo con aislamiento doble deben ser idénticas a las piezas sustituidas.

Instrucciones sobre el enchufe polarizado

- Este producto cuenta con un enchufe polarizado (una clavija es más ancha que la otra). Para reducir el riesgo de descarga eléctrica, este enchufe solo se podrá insertar en un tomacorriente polarizado en un único sentido. Si el enchufe no encaja bien al principio en el tomacorriente, dele la vuelta. Si sigue sin encajar, contacte con un electricista cualificado. No intente modificar el enchufe de ninguna manera.

GUARDE ESTAS INSTRUCCIONES

Comprobación del dispositivo y el contenido del suministro

¡AVISO!

¡Riesgo de daños!

La superficie del producto podría sufrir daños si el embalaje se abre sin cuidado con un cuchillo afilado u otros objetos puntiagudos.

- Actúe con cuidado al abrirlo.

1. Extraiga el producto del embalaje con ambas manos.
2. Compruebe que el contenido del suministro esté completo (véase el capítulo "Componentes").
3. Compruebe si el producto o las piezas presentan daños. No ponga un producto dañado en funcionamiento y póngase en contacto con el fabricante en la dirección de servicio que se indica en la tarjeta de garantía.

Ensamblaje

⚠ ¡PRECAUCIÓN!

¡Peligro de lesiones!

La manipulación inadecuada del producto puede causar lesiones.

- No conecte el producto a un tomacorriente hasta que esté completamente montado.
 - No utilice el producto sin que el asa esté bien atornillada en su sitio.
1. Coloque el producto en posición vertical.
 2. Coloque el asa **1** firmemente sobre la unidad principal del producto (véase la **fig. B**).
Asegúrese de que el sujetador del cable **13** esté en el mismo lado que los ganchos para el cable **14**.
 3. Utilice un destornillador de estrella **22**, atornille un tornillo **18** a cada lado del asa y apriéte los firmemente (véase la **fig. B**).
No apriete demasiado los tornillos, pues podrían estropear los orificios de los tornillos.

Preparación de la alfombra

¡AVISO!

¡Riesgo de daños!

Utilizar el producto como una aspiradora en seco lo dañará.

- Utilice el producto únicamente con una solución limpiadora adecuada para alfombras.
1. Retire todo el mobiliario posible de la habitación. Coloque un plástico u otra cubierta protectora debajo y alrededor de cualquier mueble en la sala.
 2. Aspire a fondo la alfombra a limpiar con una aspiradora convencional.
 3. Humedezca un paño blanco con la solución limpiadora para alfombras que vaya a utilizar con el producto.
 4. Frote el paño suavemente sobre un área de prueba pequeña y compruebe si el color destiñe. Si el paño sigue limpio, limpiar la alfombra debería ser seguro.

Funcionamiento

Llenado del depósito de solución de agua

¡PRECAUCIÓN!

¡Peligro de lesiones!

La manipulación inadecuada del producto puede causar lesiones.

- Desenchufe siempre el producto antes de llenar el depósito de solución de agua.
- Evite el contacto prolongado de la piel con las soluciones limpiadoras.
- Mantenga la solución limpiadora de alfombras fuera del alcance de los niños.
- En caso de contacto con los ojos, enjuáguelos inmediatamente con abundante agua y consulte a un médico.

¡AVISO!

¡Riesgo de daños!

Utilizar el producto sin el depósito de solución de agua colocado o con una solución de agua inadecuada podría dañar el producto.

- Asegúrese siempre de que el depósito de solución de agua esté colocado correctamente antes de utilizar el producto.
- No utilice disolventes, limpiadores con fórmulas alcalinas o ácidas fuertes, o cualquier tipo de solución de limpieza que no sea específica para usar en máquinas limpiadoras de alfombras.



- Emplee solo una solución adecuada para limpieza de alfombras (que produzca poca espuma). Las soluciones

inadecuadas pueden generar un exceso de espuma, lo que evitará que el producto funcione de forma efectiva.

- La solución limpiadora para alfombras NO está incluida. Se pueden utilizar soluciones limpiadoras para alfombras disponibles comercialmente que generen poca espuma. Lea siempre las instrucciones del fabricante antes del uso.

1. Desenchufe el producto.
2. Eleve la palanca de liberación del depósito de solución de agua **12** y, a continuación, retire el depósito de solución de agua **11** del producto (véase la **fig. C**).
3. Desatornille y, a continuación, retire el tapón del depósito de solución de agua **3**.
4. Siguiendo las instrucciones en la botella, añada la solución limpiadora para alfombras y, a continuación, llene el depósito de solución de agua con agua corriente caliente (máx. 104 °F / 40 °C).
No rellene por encima de la línea máxima (FULL) **4**.
5. Vuelva a colocar la tapa del depósito de solución de agua.
6. Vuelva a colocar el depósito de solución de agua en su posición presionándolo hacia abajo hasta que encaje en su lugar con un clic.



Repita los pasos descritos previamente (excepto el paso 4) para vaciar el depósito de solución de agua después y antes del almacenamiento.

Limpeza de una alfombra



- Antes de su limpieza, determine dónde comenzar y parar para evitar caminar por zonas ya limpiadas.
 - No sobrecargue la alfombra con solución limpiadora.
 - Para zonas muy sucias, quizá se precisen varias pasadas.
1. Enchufe el cable eléctrico **16** en un tomacorriente y conecte el producto llevando el interruptor de encendido/apagado **5** a la posición ON (I).
 2. Pise el pedal de liberación del asa **17** para bajar el asa 1 a la posición de limpieza (véase la **fig. D**).
 3. Al presionar el botón de liberación de solución **2**, tire del producto hacia atrás, hacia usted.
 4. Suelte el botón de liberación de solución y avance con el producto por el mismo recorrido para eliminar la solución limpiadora sucia de la alfombra.
 5. Repita los pasos 3-4 para limpiar otras partes de la alfombra o áreas más sucias.

6. Cuando se haya completado la limpieza, apague el producto llevando el interruptor de encendido/apagado a la posición OFF (0).
7. Empuje el asa hacia delante hasta que se encuentre vertical y esté bloqueada en su lugar.
8. Desenchufe el producto y enrolle el cable eléctrico alrededor de los ganchos para el cable 14.

Consejos para la limpieza de alfombras

- Utilice el asa de transporte 15 para elevar el producto y desplazarlo hasta el lugar de limpieza deseado.
- Evite pasar el producto sobre el cable eléctrico 16 sujetando el exceso de cable eléctrico en su mano libre durante la limpieza.
- Utilice un movimiento constante y moderado para avanzar y retroceder.
- Vaya siempre de detrás adelante por la sala para evitar pisar la alfombra mojada.
- No moje demasiado la alfombra. No haga más de dos pasadas atrás y adelante al liberar solución limpiadora para alfombras. Continúe siempre con pasadas secas, cuantas más mejor.
- Elimine con un paño cualquier solución limpiadora de la carpintería y mobiliario para evitar daños.
- Deje que la alfombra se seque bien y evite caminar sobre ella hasta que no esté seca.
- Una mayor circulación de aire (puertas abiertas, ventiladores, etc.) o el uso de un deshumidificador contribuirán a secar bien la alfombra y evitar la proliferación de moho.
- Aspire bien la alfombra antes de limpiarla y después de que se seque.

Vaciado del depósito de agua sucia

⚠ ¡PRECAUCIÓN!

¡Peligro de lesiones!

La manipulación inadecuada del producto puede causar lesiones.

- Desenchufe siempre el producto antes de vaciar el depósito de agua sucia.



Un dispositivo de desconexión automática evita que el producto absorba más agua sucia de la que cabe en el depósito de agua sucia. Sabrá que debe vaciarse el depósito de agua sucia cuando:

- el sonido del motor suba de tono,
- la solución sucia haya alcanzado la línea de llenado máximo (FULL) **6** en el depósito de agua sucia.

1. Desenchufe el producto.
2. Desbloquee el depósito de agua sucia **7** presionando el seguro de bloqueo del depósito de agua sucia **10** y subiéndolo a la vez (véase la **fig. E**).
3. Retire el depósito de agua sucia del producto.
4. Abra el tapón del depósito de agua sucia **19** girándolo en sentido antihorario, de forma que el agarre apunte a la palabra “unlock” (véase la **fig. F**).
5. Vacíe el depósito de agua sucia, vuelva a colocar la tapa del depósito de agua llevándolo a la posición “lock”. A continuación, vuelva a colocar el depósito de agua sucia en el producto (véase la **fig. G**).
6. Baje el asa del depósito de agua sucia hasta que el seguro de bloqueo del depósito de agua sucia encaje en su sitio con un clic.

Limpieza

⚠ ¡PRECAUCIÓN!

¡Peligro de lesiones!

La manipulación inadecuada del producto puede causar lesiones.

- Desenchufe siempre el producto cuando no lo use, al rellenar los depósitos y durante su limpieza o mantenimiento.

¡AVISO!

¡Riesgo de daños!

Una manipulación inadecuada del producto puede provocar daños.

- No utilice limpiadores agresivos, cepillos con cerdas metálicas o de nylon, ni utensilios de limpieza afilados o

metálicos como cuchillos, espátulas duras y objetos similares, pues podrían provocar daños en las superficies.

- No sumerja nunca la unidad motora en agua u otros líquidos, ni la enjuague bajo el grifo ni con una manguera.

Limpieza de los filtros

¡AVISO!

¡Riesgo de daños!

Una manipulación inadecuada del producto puede provocar daños.

- No limpie los filtros con productos químicos, pues se averiarían.
1. Retire el depósito de agua sucia **7** como se describe en el capítulo “Vaciado del depósito de agua sucia”.
 2. Saque la carcasa del filtro de gases **8** del depósito de agua sucia (véase la **fig. H**).
 3. Retire el filtro **20** de la carcasa del filtro de gases (véase la **fig. I**).
 4. Enjuague el filtro con agua caliente. Permita que el filtro se seque completamente.
 5. Vuelva a montar el filtro y meta la carcasa del filtro de gases en el depósito de agua sucia.
 6. Con el depósito de agua sucia aún fuera, saque el filtro del motor **21** (véase la **fig. J**).
 7. Enjuague el filtro del motor con agua caliente (máx. 104 °F / 40 °C). Permita que el filtro del motor se seque completamente.
 8. Vuelva a montar el filtro del motor y vuelva a colocar el depósito de agua sucia en el producto como se describe en el capítulo “Vaciado del depósito de agua sucia”.

Limpieza del producto

1. Desenchufe el producto.
2. Asegúrese de que el depósito de solución de agua **11** y el depósito de agua sucia **7** estén vacíos (véase el capítulo “Llenado del depósito de solución de agua” y “Vaciado del depósito de solución de agua”).
3. Utilice un paño suave y húmedo para limpiar el producto y los accesorios.
4. Deje después que todos los componentes se sequen del todo.

Almacenamiento

¡AVISO!

¡Riesgo de daños!

Pueden formarse depósitos minerales y moho cuando la solución limpiadora y/o el agua se dejan en los depósitos, lo que afectaría al rendimiento del producto.

- No almacene el producto con solución limpiadora aún en el depósito de solución de agua ni con agua sucia en el depósito de agua sucia.

Todas las piezas deben estar totalmente secas antes de su almacenamiento.

- Guarde siempre el producto en un lugar seco.
- Proteja el producto de la luz solar directa.
- Guarde el producto de forma que quede fuera del alcance de los niños.

Resolución de problemas

Algunos problemas pueden estar provocados por fallos menores que puede solucionar usted mismo. Para ello, siga las instrucciones de la siguiente tabla. Si el problema persiste, contacte con el servicio al cliente. No repare el producto usted mismo.

Problem	Solution
El producto no funciona.	<ul style="list-style-type: none"> - Asegúrese de que el producto esté enchufado. - Asegúrese de que el tomacorriente no sea defectuoso.
No hay suficiente succión durante la limpieza.	<ul style="list-style-type: none"> - Vacíe el depósito de agua sucia 7; quizá esté lleno y se haya activado la desconexión automática. - Asegúrese de que el depósito de agua sucia esté bien instalado.
No se dispensa solución limpiadora.	<ul style="list-style-type: none"> - Asegúrese de que el depósito de solución de agua 11 esté totalmente insertado y bien metido en su sitio. - Vuelva a llenar el depósito de solución de agua si está vacío.

Especificaciones técnicas

Modelo:	VC9385S
Suministro eléctrico:	120 V~ 60 Hz
Potencia:	600 W
Grado de protección:	II <input type="checkbox"/>
Capacidad del depósito de solución de agua:	5.5 tazas (1.3 l) respecto a la línea de llenado máx. (FULL) (capacidad máx. 9.7 tazas (2.3 l))
Capacidad del depósito de agua sucia:	7.1 tazas (1.7 l) respecto a la línea de llenado máx. (FULL) (capacidad máx. 10.6 tazas (2.5 l))
Código del producto:	813705

Eliminación

Eliminación del embalaje



- Elimine el embalaje por tipos de material. Deseche el papel y cartón a través del servicio de papel reciclado, y los envoltorios a través del servicio de recolección apropiado.

Eliminación del producto

- En caso de que el producto ya no pueda utilizarse, **elimínelo de conformidad con la normativa vigente en su ciudad o estado.**
- Asegúrese de que la información sobre reciclaje corresponda a la normativa local y las recomendaciones de la EPA (www.epa.gov).



Made in China

DIST. & SOLD EXCLUSIVELY BY:

ALDI

BATAVIA, IL 60510

AHG Wachsmuth & Krogmann mbH
Lange Mühren 1
20095 Hamburg
Germany

**AFTER SALES SUPPORT
SERVICIO POSVENTA**

813705



US

1-888-367-7373



help@myproduct.care

MODEL/MODELO:
VC9385S

03/2022

3

**YEAR WARRANTY
AÑOS DE GARANTÍA**